



## Human P53 inducible expression cell line

Catalog Number	Product name	Amount
<a href="#">SC014</a>	human P53 Inducible Expression Cell line	1 ml / vial in 80% DMEM, 10% FBS, 10% DMSO

### Storage:

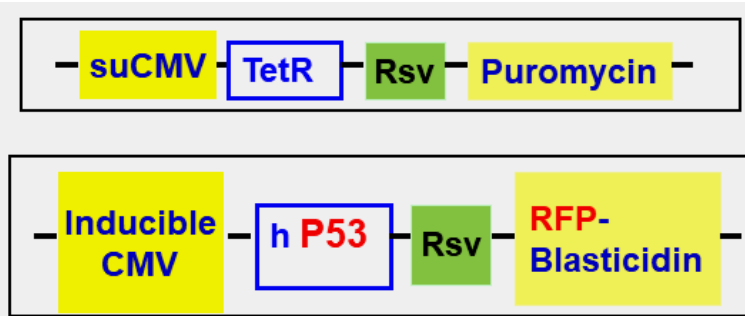
Upon received, place vial in Liquid Nitrogen for long-term storage, or saved in -80oC for short-time storage up to 1 week.

### 1. Product Description:

The 293 Cell Line is a permanent line established from primary embryonic human kidney transformed with sheared human adenovirus type 5 DNA. The expressed E1A adenovirus gene allows these cells to produce very high levels of protein.

human P53 stable cell is transformed from the HEK293 cell line. It is established by transduction of P53 inducible expression lentivirus. P53 is expressed under **Tetracycline inducible suCMV promoter**. The repressor (tetR) protein is constitutively expressed in this cell line, which stop the hP53 expression. The h P53 was not expressed until the tetracycline is added into cell culture. The h P53 integrated segment contains a **RFP-blasticidin** fusion marker expressed under RSV promoter. And the TetR repressor integration segment contains a puromycin marker. As a result, the cells demonstrate strong RFP signal which is constantly expressed, carrying both Blastocidin and puromycin resistance.

The following two expression cassettes were integrated into this stable cell line's genome.



## 2. Target (h P53) Inducible Expression

The h P53 expression is induced by Tetracycline. To induce the expression, simply change the culture medium containing 1.0 ug/ml (final concentration) of tetracycline. Be aware of that many bovine serums used in medium are contaminated with tetracycline or its derivatives, which can affect basal expression. If desired, use Tetracycline-Free (certified) FBS in cell culture. The induction rate is from 10 to 1000 folds dependent upon cell type.

## 3. Culture procedures

- 1) Thaw the frozen vial of cells quickly in a 37°C water bath (1~3min), decontaminate the outside of the vial with 70% ethanol.
- 2) Transfer the entire contents of the cryovial into a T-75 cm<sup>2</sup> flask containing 20 ml of pre-warmed complete medium. Incubate the cells overnight in a 37°C incubator, 5% CO<sub>2</sub>.
- 3) On the following day, replace the medium with 20 ml of prewarmed, complete medium.
- 4) Incubate the cells and monitor cell density.
- 5) Pass cells (1:5 to 1:10 dilution) using 0.25% Trypsin-EDTA solution when the culture reaches ~90% confluent.
- 6) Freeze cells at a density of ~3 x 10<sup>6</sup> cells/ml using 90% complete medium with 10% DMSO.

## 4. Complete medium

DMEM (high glucose)  
2mM L-glutamine  
10% Fetal Bovine Serum (FBS)  
0.1 mM MEM Non-Essential Amino Acids (NEAA)  
1% Pen-strep / Antibiotic-antimycoplasma



- Optional to add: final **10 ug/ml** of Blastocidin (Note: do not add Blastocidin at 1st time thaw culture. This final Blastocidin concentration is also depend on the potency of its brand)

## 5. Quality Control

Each vial contains  $\sim 2 \times 10^6$  cells with >95% viability before freezing. Cells are verified to be free of bacteria, viruses, and mycoplasma.

## 6. Warranty and user terms

- 1) This product is warranted to perform as described when used in accordance with this manual. GenTarget's sole remedy for breach of warranty should be, at the option of GenTarget, to repair or replace the product if this product does not meet the stated quality standard.
- 2) By paying the purchase price, the buyer is granted a non-transferable, non-exclusive license to use the product. This product is sold **for research and development purposes only**. For commercial use, please contact Gentarget Inc for license.
- 3) This product is limited to the laboratory that the product is delivered to. This Product is not for resale, distribution, or transfer for any purpose, including transfer of the Product as a component of any product(s); GenTarget will retain all rights for this Product's license and other intellectual property.
- 4) This Product should be used only for non-profit purposes including any products and services usages; furthermore, **research use only** means that this product is excluded, without limitation, from resale, repackaging, or modification for the making or selling of any commercial product(s) or service(s) without the written approval of GenTarget. You may contact our Business Development department at [support@gentarget.com](mailto:support@gentarget.com) for product proprietary information.
- 5) GenTarget is not liable, and does not have any responsibility or liability, whatsoever for any direct and indirect, consequential, or other damages resulting from using this Product.
- 6) Gentarget **do not** provide the protected reporter's sequences information for all our cell line products.

## 7. Attachment: GenTarget's pre-made stable cell line list:

Catalog #	Product Name
-----------	--------------



<b>Catalog #</b>	<b>Product Name</b>
<a href="#">SC001</a>	HEK293-GFP stable cells
<a href="#">SC002-Bsd</a>	luciferase (firefly), HEK293 stable cells (Blasticidin)
<a href="#">SC002-GB</a>	luciferase (firefly), HEK293 stable cells (GFP-Blasticidin)
<a href="#">SC002-GP</a>	luciferase (firefly), HEK293 stable cells (GFP-Puromycin)
<a href="#">SC002-Neo</a>	luciferase (firefly), HEK293 stable cells (Neomycin)
<a href="#">SC002-Puro</a>	luciferase (firefly), HEK293 stable cells (Puromycin)
<a href="#">SC002-RB</a>	luciferase (firefly), HEK293 stable cells (RFP, Blasticidin)
<a href="#">SC002-RP</a>	luciferase (firefly), HEK293 stable cells (RFP-Puromycin)
<a href="#">SC002T-RP</a>	HEK293T / Luciferase stable cells (RFP-Puromycin)
<a href="#">SC003</a>	LacZ (6His, RFP) / HEK293 Expression stable cell line
<a href="#">SC004-Bsd</a>	CRE Expression / HEK293 Cell Line (Bsd)
<a href="#">SC004-GP</a>	CRE Expression / HEK293 Cell Line (GFP, Puro)
<a href="#">SC004-Neo</a>	CRE Expression / HEK293 Cell Line (Neo)
<a href="#">SC004-Puro</a>	CRE Expression / HEK293 Cell Line (Puro)
<a href="#">SC004-RB</a>	CRE Expression / HEK293 Cell Line (RFP, Bsd)
<a href="#">SC004-RP</a>	CRE Expression / HEK293 Cell Line (RFP, Puro)
<a href="#">SC005-Bsd</a>	HEK293-TetR (Bsd)
<a href="#">SC005-GB</a>	HEK293-TetR (GFP-Bsd)
<a href="#">SC005-Hygro</a>	HEK293-TetR (Hygro)
<a href="#">SC005-Neo</a>	HEK293-TetR (Neo)
<a href="#">SC005-Puro</a>	HEK293-TetR (Puro)
<a href="#">SC005-RB</a>	HEK293-TetR (RFP-Bsd)
<a href="#">SC005-RP</a>	HEK293-TetR (RFP-Puro)



<b>Catalog #</b>	<b>Product Name</b>
<a href="#">SC006</a>	Flp recombinase Expression HEK293 stable cell
<a href="#">SC007</a>	HEK293-RFP stable cells
<a href="#">SC008</a>	GFP-LacZ & RFP Expression HEK293 Cell Line
<a href="#">SC009</a>	GFP & RFP / HEK293 stable cells
<a href="#">SC010</a>	HEK293-CFP stable cells
<a href="#">SC011</a>	HEK293-YFP stable cells
<a href="#">SC012</a>	TAT Expression / HEK293 Cell Line
<a href="#">SC013</a>	Glutamine Synthetase (6His) Expression HEK293 Cell Line
<a href="#">SC014</a>	human P53 Inducible Expression Cell line
<a href="#">SC015</a>	Human OCT3/4 Expression Stable cells
<a href="#">SC016</a>	Human LIN28 Expression stable cells
<a href="#">SC017</a>	MDA-MB-231 / niRFP (Puro) Stable Cell Line
<a href="#">SC018-Bsd</a>	Color Switch, CRE report cell line: HEK293-loxP-GFP-RFP (Bsd)
<a href="#">SC018-Neo</a>	Color Switch, CRE report cell line: HEK293-loxP-GFP-RFP (Neo)
<a href="#">SC018-Puro</a>	Color Switch, CRE report cell line: HEK293-loxP-GFP-RFP (Puro)
<a href="#">SC019</a>	Firefly & Renilla Dual Luciferase Hela Cell Line
<a href="#">SC020-Puro</a>	luciferase (Renilla), HEK293 stable cells (Puromycin)
<a href="#">SC020-RP</a>	luciferase (Renilla), HEK293 stable cells (RFP-Puromycin)
<a href="#">SC021-GB</a>	Luciferase (firefly) & CRE Expression cell line (GFP-Bsd)
<a href="#">SC021-Puro</a>	Luciferase (firefly) & CRE Expression stable cell line (Puro)
<a href="#">SC021-RP</a>	Luciferase (firefly) & CRE Expression cell line (RFP-Puro)
<a href="#">SC022-RB</a>	HEK293-CFTR cell line with RFP and Blasticidin dual marker
<a href="#">SC023-RB</a>	HEK293-CLCN2 cell line with RFP and Blasticidin dual marker



<b>Catalog #</b>	<b>Product Name</b>
<a href="#">SC024-RB</a>	HEK293-TRPC3 cell line with RFP and Blastcidin dual marker
<a href="#">SC025-RB</a>	HEK293-KCNN4 cell line with RFP and Blastcidin dual marker
<a href="#">SC026-RB</a>	HEK293-ATP2B2 cell line with RFP and Blastcidin dual marker
<a href="#">SC027-RB</a>	HEK293-TRPV1 cell line with RFP and Blastcidin dual marker
<a href="#">SC028</a>	Inducible RFP HEK293 Expression cell line
<a href="#">SC029</a>	inducible RFP HEK293 stable cell line with GFP marker
<a href="#">SC030</a>	inducible GFP HEK293 stable cell line with RFP marker
<a href="#">SC031-Puro</a>	Hela-RFP Expression Cells
<a href="#">SC032-Bsd</a>	Luciferase (firefly) Expression Hela cells (Bsd)
<a href="#">SC032-GB</a>	Luciferase & GFP Expression Hela cells (Bsd)
<a href="#">SC032-GN</a>	Luciferase & GFP Expression Hela cells (Neo)
<a href="#">SC032-GP</a>	Luciferase & GFP Expression Hela cells (Puro)
<a href="#">SC032-Puro</a>	Luciferase (firefly) Expression Hela cells (Puro)
<a href="#">SC032-RB</a>	Luciferase & RFP Expression Hela cells (Bsd)
<a href="#">SC032-RN</a>	Luciferase & RFP Expression Hela cells (Neo)
<a href="#">SC032-RP</a>	Luciferase & RFP Expression Hela cells (Puro)
<a href="#">SC033</a>	Inducible GFP HEK293 stable cell line
<a href="#">SC034-Bsd</a>	Hela-GFP stable cells (Blasticidin)
<a href="#">SC034-Puro</a>	Hela-GFP stable cells (Puromycin)
<a href="#">SC035-Puro</a>	TetR Expression (Puro) / Hela stable cells
<a href="#">SC036</a>	Inducible GFP Expression Hela cell line
<a href="#">SC037</a>	Inducible RFP Expression Hela cell line



<b>Catalog #</b>	<b>Product Name</b>
<a href="#">SC038-GB</a>	rtTA (GFP-Bsd) / Hela stable cells
<a href="#">SC038-GP</a>	rtTA (GFP-Puro) / Hela stable cells
<a href="#">SC038-RB</a>	rtTA (RFP-Bsd) / Hela stable cells
<a href="#">SC039-Bsd</a>	CHO-GFP stable cells (Blasticidin)
<a href="#">SC039-Puro</a>	CHO-GFP stable cells (Puromycin)
<a href="#">SC039-RFP</a>	CHO-K1 / RFP Stable Cell Line
<a href="#">SC040-Bsd</a>	MDA-MB-231 / GFP (Bsd) Stable Cell Line
<a href="#">SC040-Puro</a>	MDA-MB-231 / GFP (Puro) Stable Cell Line
<a href="#">SC040-TetR</a>	MDA-MB-231 / TetR (Puro) stable cells
<a href="#">SC041</a>	MDA-MB-231 / Luciferase-2A-RFP Stable Cell Line
<a href="#">SC042</a>	SH-SY5Y / GFP (Puromycin) stable cell line
<a href="#">SC043-Bsd</a>	A549 / GFP stable cells (Blasticidin)
<a href="#">SC043-Cas9-GP</a>	A549 / Cas9 (GFP-Puro) Stable Cell Line
<a href="#">SC043-Cas9-Puro</a>	A549 / Cas9 (Puro) Stable Cell Line
<a href="#">SC043-Cas9-RP</a>	A549 / Cas9 (RFP-Puro) Stable Cell Line
<a href="#">SC043-LG</a>	A549 / Luciferase-2A-GFP (Puromycin) stable cell line
<a href="#">SC043-Luc</a>	A549 / Luciferase (Puromycin) stable cell line
<a href="#">SC043-TetR</a>	A549 / TetR (Puro) stable cells
<a href="#">SC044</a>	MDA-MB-231 / Luciferase-2A-GFP Stable Cell Line
<a href="#">SC045-Cas9-Bsd</a>	Hela / Cas9 (Bsd) Stable Cell Line
<a href="#">SC045-Cas9-Puro</a>	Hela / Cas9 (Puro) Stable Cell Line
<a href="#">SC046</a>	SH-SY5Y / RFP (Puromycin) stable cell line
<a href="#">SC047-GB</a>	RKO / GFP (Blasticidin) Stable Cell Line



<b>Catalog #</b>	<b>Product Name</b>
<a href="#">SC047-TetR</a>	TetR Expression (Bsd) / RKO stable cells
<a href="#">SC048</a>	Luciferase (Puro) / Jurkat T Cell line
<a href="#">SC049-1</a>	Jurkat T / GFP Stable Cell (EF1a Promoter)
<a href="#">SC049-2</a>	Jurkat T / GFP Stable Cell (Flt1 Promoter)
<a href="#">SC049-3</a>	Jurkat T / GFP Stable Cell (CD43 Promoter)
<a href="#">SC049-4</a>	Jurkat T / GFP Stable Cell (CD68 Promoter)
<a href="#">SC049-5</a>	Jurkat T / GFP Stable Cell (Survivin Promoter)
<a href="#">SC050-G</a>	MCF7 / GFP (Puromycin) Cell Line
<a href="#">SC050-L</a>	MCF7 / Firefly Luciferase (Puro) Cell Line
<a href="#">SC051-G</a>	ZR-75-1 / GFP (Puromycin) Cell Line
<a href="#">SC051-L</a>	ZR-75-1 / Firefly Luciferase (Puro) Cell Line
<a href="#">SC051-LG</a>	ZR-75-1 / Luciferase & GFP Cell Line
<a href="#">SC051-LR</a>	ZR-75-1 / Luciferase & RFP Cell Line
<a href="#">SC051-R</a>	ZR-75-1 / RFP (Puromycin) Cell Line
<a href="#">SC053-L</a>	NCI-H1299 / Luciferase (Puro) Stable Cells
<a href="#">SC054-L</a>	CFPAC-1 / Luciferase (Puro) Stable Cells
<a href="#">SC055-G</a>	MLLB2 / GFP (Neomycin) stable cell line
<a href="#">SC056-TetR</a>	mouse CT26 / TetR Expression (Bsd) stable cells
<a href="#">SC057-Bsd</a>	MDA-MB-231 / RFP (Bsd) Stable Cell Line
<a href="#">SC058</a>	HEK293 / uGFP (unstable GFP) Stable Cells
<a href="#">SC059-Bsd</a>	MDA-MB-231 / Luciferase (Bsd) Stable Cell Line
<a href="#">SC059-Puro</a>	MDA-MB-231 / Luciferase (Puro) Stable Cell Line
<a href="#">SC060-G</a>	Human B lymphocyte / GFP Stable Cells





<b>Catalog #</b>	<b>Product Name</b>
<a href="#">SC060-LG</a>	Human B lymphocyte (Luciferase / GFP) Stable Cells
<a href="#">SC060-LR</a>	Human B lymphocyte (Luciferase / RFP) Stable Cells
<a href="#">SC060-Luc</a>	Human B lymphocyte/ Luciferase (firefly) Stable Cells
<a href="#">SC060-R</a>	Human B lymphocyte / RFP Stable Cells
<a href="#">SC061-G</a>	Mouse CT26 / GFP Stable Cells
<a href="#">SC061-LG</a>	Mouse CT26 (Luciferase & GFP) Stable Cells
<a href="#">SC061-LR</a>	Mouse CT26 (Luciferase & RFP) Stable Cells
<a href="#">SC061-PDL1</a>	Mouse CT26 / PDL1 Stable Cells
<a href="#">SC061-R</a>	Mouse CT26 / RFP Stable Cells
<a href="#">SC062-G</a>	Human AsPC1 / GFP Cell Line
<a href="#">SC062-LG</a>	Human AsPC1 / Luciferase and GFP Cell Line
<a href="#">SC062-LR</a>	Human AsPC1 / Luciferase and RFP Cell Line
<a href="#">SC062-Luc</a>	Human AsPC1 / Luciferase Cell Line
<a href="#">SC062-R</a>	Human AsPC1 / RFP Cell Line
<a href="#">SC063-LR</a>	Mouse B lymphocyte (Luciferase & RFP) Stable Cell
<a href="#">SC063-Luc</a>	Mouse B lymphocyte / Luciferase Cell Line
<a href="#">SC063-R</a>	Mouse B lymphocyte / RFP Cell Line
<a href="#">SC065-G</a>	Mouse MB49 / GFP Stable Cells
<a href="#">SC065-LG</a>	Mouse MB49 / Luciferase & GFP Stable Cells
<a href="#">SC065-LR</a>	Mouse MB49 / Luciferase & RFP Stable Cells
<a href="#">SC065-Luc</a>	Mouse MB49 / Luciferase (firefly) Stable Cells
<a href="#">SC065-R</a>	Mouse MB49 / RFP Stable Cells
<a href="#">SC066-G</a>	Human ES2 / GFP Stable Cells



<b>Catalog #</b>	<b>Product Name</b>
<a href="#">SC066-LG</a>	Human ES2 / Luciferase & GFP Stable Cells
<a href="#">SC066-LR</a>	Human ES2 / Luciferase & RFP Stable Cells
<a href="#">SC066-Luc</a>	Human ES2 / Luciferase Stable Cells
<a href="#">SC066-Luc</a>	Human ES2 / Luciferase (Firefly) Stable Cells
<a href="#">SC066-R</a>	Human ES2 / RFP Stable Cells
<a href="#">SC066-TetR</a>	Human ES2 / TetR (Puro) Stable Cells
<a href="#">SC067-G</a>	Human SW403 / GFP Stable Cells
<a href="#">SC067-Luc</a>	Human SW403 / Luciferase Stable Cells
<a href="#">SC068-G</a>	Human PANC-1 / GFP (Puro) Cell Line
<a href="#">SC068-LG</a>	Human PANC-1 / Luciferase & GFP (Puro) Cell Line
<a href="#">SC068-Luc</a>	Human PANC-1 / Luciferase (Puro) Cell Line
<a href="#">SC068-R</a>	Human PANC-1 / RFP (Puro) Cell Line
<a href="#">SC069-G</a>	Human 786-O / GFP Cell Line
<a href="#">SC069-LG</a>	Human 786-O / Luciferase & GFP Cell Line
<a href="#">SC069-luc</a>	Human 786-O / Luciferase Cell Line
<a href="#">SC070-G</a>	Hela-nucGFP stable cells
<a href="#">SC070-R</a>	Hela-nucRFP stable cells
<a href="#">SC071-Neo</a>	Color Switch, CRE report cell line: Hela-loxP-GFP-RFP (Neo)
<a href="#">SC071-Puro</a>	Color Switch, CRE report cell line: Hela-loxP-GFP-RFP (Puro)
<a href="#">SC072-G</a>	Human T47D / GFP Stable Cells
<a href="#">SC072-LG</a>	Human T47D / Luciferase & GFP Stable Cells
<a href="#">SC072-Luc</a>	Human T47D / Luciferase Stable Cells
<a href="#">SC073-GB</a>	Human MCF10A / GFP (Bsd) Stable Cells



<b>Catalog #</b>	<b>Product Name</b>
<a href="#">SC073-GP</a>	Human MCF10A / GFP (Puro) Stable Cells
<a href="#">SC073-Luc</a>	Human MCF10A / Luciferase (Puro) Stable Cells
<a href="#">SC074-GB</a>	Human SW1990 / GFP (Bsd) Stable Cells
<a href="#">SC074-GP</a>	Human SW1990 / GFP (Puro) Stable Cells
<a href="#">SC074-LG</a>	Human SW1990 / Luciferase & GFP (Puro) Stable Cells
<a href="#">SC074-Luc</a>	Human SW1990 / Luciferase (Puro) Stable Cells
<a href="#">SC075</a>	Human ACE2 (RFP) Expression in Hela Cell Line
<a href="#">SC076</a>	Human ACE2 (RFP) Expression in HEK293T Cell Line
<a href="#">SC076B</a>	Human ACE2 (GFP) Expression in Hela Cell Line
<a href="#">SC077</a>	COVID-19 Spike (S) Protein / Hela Cell Line
<a href="#">SC078-G</a>	Mouse Panc02 / GFP Stable Cell Line
<a href="#">SC078-Luc</a>	Mouse Panc02 / Luciferase (Firefly) Stable Cell Line
<a href="#">SC079-G</a>	Human MIA Paca-2 / GFP Stable Cells
<a href="#">SC079-LG</a>	Human MIA Paca-2 / Luciferase & GFP Stable Cells
<a href="#">SC079-LR</a>	Human MIA Paca-2 / Luciferase & RFP Stable Cells
<a href="#">SC079-Luc</a>	Human MIA Paca-2 / Luciferase Stable Cells
<a href="#">SC079-R</a>	Human MIA Paca-2 / RFP Stable Cells
<a href="#">SC080-G</a>	Human HT-29 / GFP Stable Cell Line
<a href="#">SC080-LG</a>	Human HT-29 / GFP & Luciferase Stable Cell Line
<a href="#">SC080-Luc</a>	Human HT-29 / Luciferase (Firefly) Stable Cell Line
<a href="#">SC081</a>	Inducible GFP & Luciferase Co-Expression HEK293 cell line
<a href="#">SC082</a>	HEK293 / Cas9 Expression Stable Cell Line
<a href="#">SC083</a>	HEK293 / h PDL1 Expression Stable Cells



<b>Catalog #</b>	<b>Product Name</b>
<a href="#">SC084-G</a>	Human U2OS / GFP Stable Cells
<a href="#">SC084-LG</a>	Human U2OS / Luciferase & GFP Stable Cells
<a href="#">SC084-Luc</a>	Human U2OS / Luciferase Stable Cells
<a href="#">SC085-LG</a>	Human SHP-77 / <b>Luciferase</b> & <b>GFP</b> Stable Cells
<a href="#">SC085-LR</a>	Human SHP-77 / <b>Luciferase</b> & <b>RFP</b> Stable Cells
<a href="#">SC085-Luc</a>	Human SHP-77 / <b>Luciferase</b> Stable Cells
<a href="#">SC085-R</a>	Human SHP-77 / <b>RFP</b> Fluorescent Stable Cells
<a href="#">SC086</a>	CHO / CD19 & GFP Expression Stable Cell Line
<a href="#">SC087</a>	HEK293 / human CD19 Expression Stable Cell Line
<a href="#">SC088-G</a>	Human HCT116 / <b>GFP</b> Fluorescent Stable Cells
<a href="#">SC088-LG</a>	Human HCT116 / <b>Luciferase</b> & <b>GFP</b> Stable Cells
<a href="#">SC088-LR</a>	Human HCT116 / <b>Luciferase</b> & <b>RFP</b> Stable Cells
<a href="#">SC088-Luc</a>	Human HCT116 / <b>Luciferase</b> Stable Cells
<a href="#">SC088-R</a>	Human HCT116 / <b>RFP</b> Fluorescent Stable Cells
<a href="#">SC089-G</a>	Human MP41 / <b>GFP</b> Fluorescent Stable Cells
<a href="#">SC089-LG</a>	Human MP41 / <b>Luciferase</b> & <b>GFP</b> Stable Cells
<a href="#">SC089-Luc</a>	Human MP41 / <b>Luciferase</b> Stable Cells
<a href="#">SC089-R</a>	Human MP41 / <b>RFP</b> Fluorescent Stable Cells
<a href="#">SC090-G</a>	Mouse HT22 / <b>GFP Fluorescent</b> Stable Cells
<a href="#">SC090-Luc</a>	Mouse HT22 / <b>Luciferase</b> Stable Cells
<a href="#">SC091-G</a>	Human SK-Mel-5 / <b>GFP</b> Fluorescent Stable Cells
<a href="#">SC091-LG</a>	Human SK-Mel-5 / <b>Luciferase</b> & <b>GFP</b> Stable Cells
<a href="#">SC091-LR</a>	Human SK-Mel-5 / <b>Luciferase</b> & <b>RFP</b> Stable Cells



<b>Catalog #</b>	<b>Product Name</b>
<a href="#">SC091-Luc</a>	Human SK-Mel-5 / <b>Luciferase</b> Stable Cells
<a href="#">SC091-R</a>	Human SK-Mel-5 / <b>RFP</b> Fluorescent Stable Cells
<a href="#">SC092-G</a>	Human MDA-MB-468 / <b>GFP</b> Stable Cells
<a href="#">SC092-LG</a>	Human MDA-MB-468 / <b>Luciferase</b> & <b>GFP</b> Stable Cells
<a href="#">SC092-LR</a>	Human MDA-MB-468 / <b>Luciferase</b> & <b>RFP</b> Stable Cells
<a href="#">SC092-Luc</a>	Human MDA-MB-468 / <b>Luciferase</b> Stable Cells
<a href="#">SC092-R</a>	Human MDA-MB-468 / <b>RFP</b> Stable Cells
<a href="#">SC093</a>	Luciferase (Renilla) / Hela stable cells
<a href="#">SC094-Luc</a>	Human SH-SY5Y / Luciferase (firefly) stable cell line
<a href="#">SC095-Cas9</a>	Human PC-9 / <b>Cas9</b> Stable Cells
<a href="#">SC095-G</a>	Human PC-9 / <b>GFP</b> Fluorescent Stable Cells
<a href="#">SC095-Luc</a>	Human PC-9 / <b>Luciferase (Firefly)</b> Stable Cells
<a href="#">SC095-R</a>	Human PC-9 / <b>RFP</b> Fluorescent Stable Cells
<a href="#">SC096-Bsd</a>	Flp ColorSwitch Reporting Cell Line: HEK293-FRT- <b>GFP-RFP</b> (Bsd)
<a href="#">SC096-Puro</a>	Flp ColorSwitch Reporting Cell Line: HEK293-FRT- <b>GFP-RFP</b> (Puro)
<a href="#">TLV-C</a>	HEK293-TLV lentivirus packing cells